

## INSTALLATION INSTRUCTIONS

Original Issue Date: 5/03

Model: 5/7.3E, 4/6EF, 7ER, and 6EFR

Market: Marine and Commercial/Recreational Mobile

Subject: Mount Kit GM28419

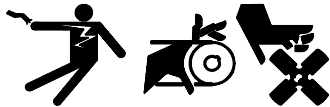
### Introduction

Install the mount kit to reduce generator set vibration from the mounting surface while replacing existing mounts (359578). Install the mounts according to the following procedure.

### Safety Precautions

Observe the following safety precaution when installing the mount kit.

**▲ WARNING**



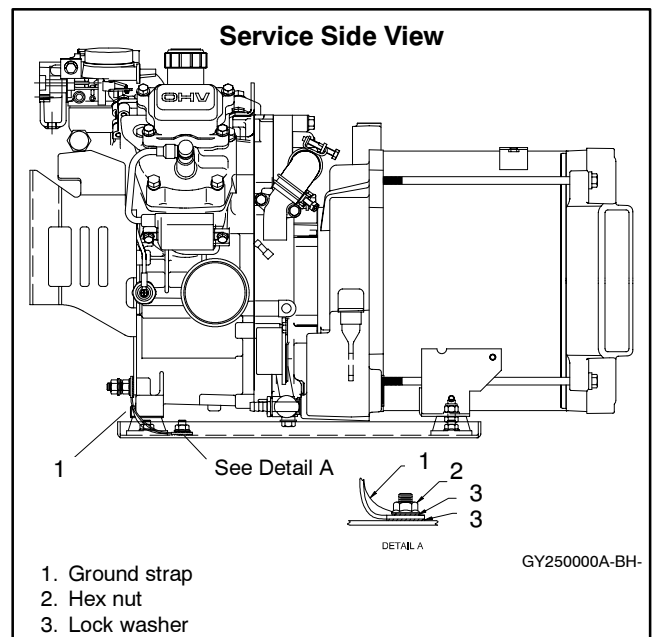
**Accidental starting.  
Can cause severe injury or death.**

Disconnect the battery cables before working on the generator set. Remove the negative (-) lead first when disconnecting the battery. Reconnect the negative (-) lead last when reconnecting the battery.

**Disabling the generator set. Accidental starting can cause severe injury or death.** Before working on the generator set or equipment connected to the set, disable the generator set as follows: (1) Place the generator set start/stop switch in the STOP position. (2) Disconnect the power to the battery charger, if equipped. (3) Remove the battery cables, negative (-) lead first. Reconnect the negative (-) lead last when reconnecting the battery. Follow these precautions to prevent the starting of the generator set by the remote start/stop switch.

### Installation Procedure

1. **Remove the generator set from service.**
  - 1.1 Place the generator set start/stop switch in the STOP position.
  - 1.2 Disconnect the power to the battery charger, if equipped.
  - 1.3 Disconnect the generator set engine starting battery(ies), negative (-) lead first.
2. **Disconnect the ground strap.**
  - 2.1 Temporarily, disconnect the ground strap at the mounting tray. Save the ground strap and hardware. See Figure 1.



**Figure 1** Ground Strap Location  
(Marine Model Shown)

### 3. Remove the existing vibromounts.

- 3.1 Raise the generator set using a hoist.
- 3.2 Remove the existing washers, screws, and nuts to remove the four vibromounts from the mounting tray and unit. Discard the existing four vibromounts.

### 4. Install the vibromounts.

- 4.1 Secure the yellow vibromounts (GM25336 qty. 2) to the unit's engine end as shown in Figure 2 using a washer (X-25-164), screw (M933-08016-60), and washer (M125A-08-80) for each mount. Apply red Loctite® and torque to 16.8 ft. lbs. (24 Nm).
- 4.2 Secure the green vibromounts (GM25335 qty. 2) to the unit's generator end as shown in Figure 2 using a bolt (X-125-3), washer (X-25-85), and nut (X-101-16) for each mount.
- 4.3 Lower the generator set onto the mounting tray's 5/16-18 in. studs.
- 4.4 Secure the vibromounts to the mounting tray's studs using two nuts (X-6210-7) for each mount.

### 5. Reconnect the ground strap.

- 5.1 Reconnect the ground strap using the hardware that was removed in step 2.1 at the same location as shown in Figure 1.

### 6. Restore the generator set to service.

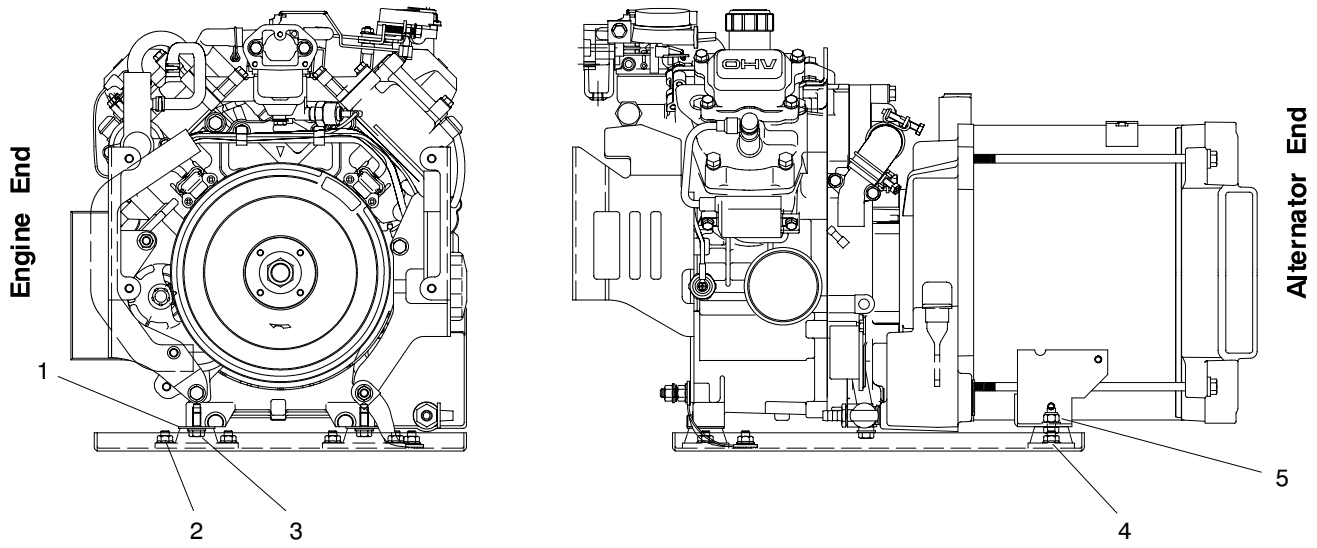
- 6.1 Check that the generator start/stop switch is in the STOP position.
- 6.2 Reconnect the generator set engine starting battery, negative (–) lead last.
- 6.3 Reconnect the power to the battery charger, if equipped.

## Parts List

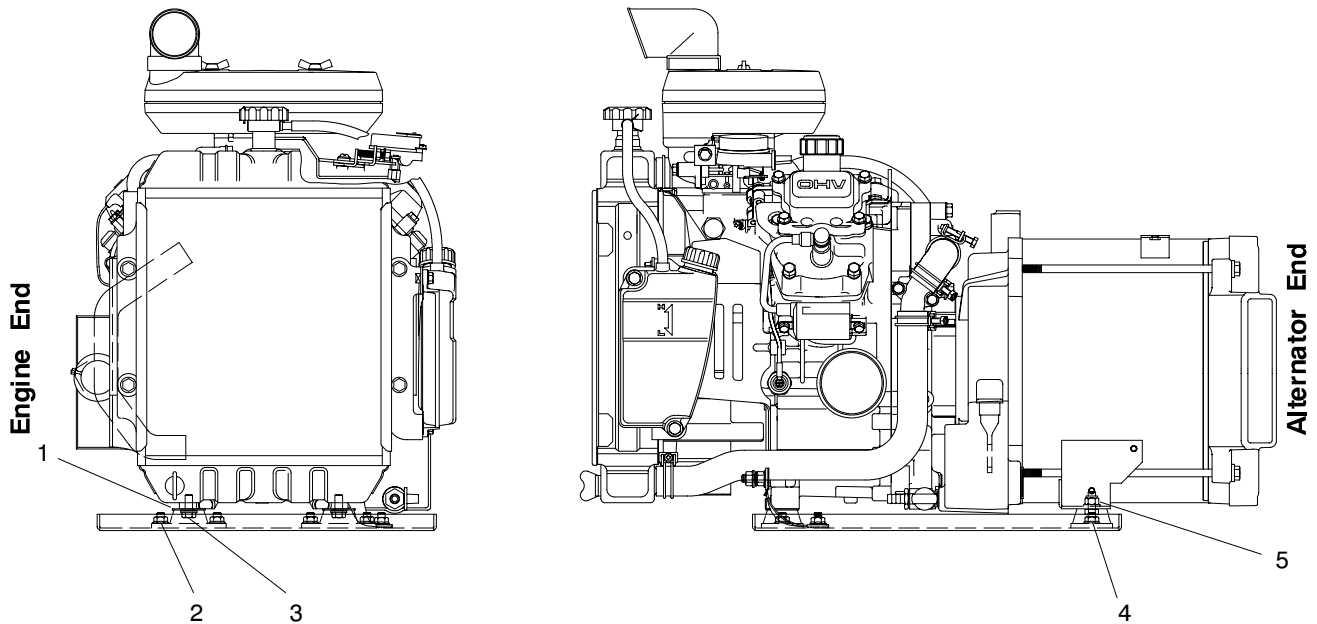
### Mount Kit

Kit: GM28419		
Qty.	Description	Part Number
2	Mount, anti-vibration, generator (green)	GM25335
2	Mount, anti-vibration, engine (yellow)	GM25336
2	Washer, plain #8	M125A-08-80
2	Screw, hex cap (M8 x 16 mm)	M933-08016-60
2	Nut, elastic stop (5/16-18 in.)	X-101-16
2	Bolt, hex cap (5/16-18 x 0.75 in.)	X-125-3
2	Washer, plain (0.324 ID x 1.374 in. OD)	X-25-164
2	Washer, plain (0.344 ID x 0.687 in. OD)	X-25-85
8	Nut, flange spiralock (5/16-18 in.)	X-6210-7

**5/7.3E and 4/6EF Marine  
Service Side View**



**7ER/6EFR Mobile  
Service Side View**



GY250000A-BH  
LX255000A-AJ

1. Washer (X-25-164 qty. 2)
2. Mount (GM25336 qty. 2) and nut (X-6210-7 qty. 4)
3. Screw (M933-08016-60 qty. 2) and washer (M125A-08-80 qty. 2). Apply red Loctite® and torque to 16.8 ft. lbs. (24 Nm)
4. Mount (GM25335 qty. 2) and nut (X-6210-7 qty. 4)
5. Bolt (X-125-3 qty. 2), washer (X-25-85 qty. 2), and nut (X-101-16 qty. 2)

**Figure 2** Locator Drawing

# Notes