



Remote Start Panel Kit PA-250797 Marine Generator Sets

Allows starting–stopping from a location remote of the generator set. Generator set comes equipped with a 6–pin connector on controller back panel for connection of the kit. See Figure 1 for panel features.

Start/Stop Switch: Rocker–type switch with "ON" light used to start and stop generator set.

NOTE

If the installation requires a wiring harness that exceeds 15 ft. (4.6 m) order Remote Extension Harness Kit PA-249334, 15 ft. (4.6 m) or PA-249336, 25 ft. (7.6 m). Use no more than a total of four remote harness kits.

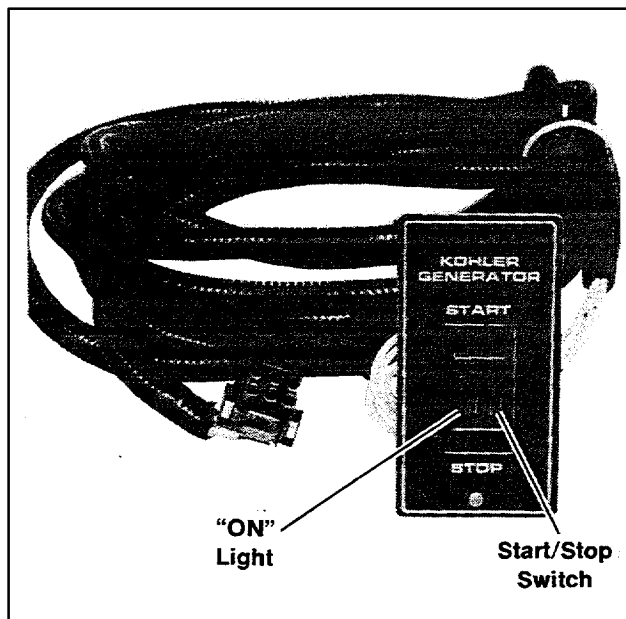
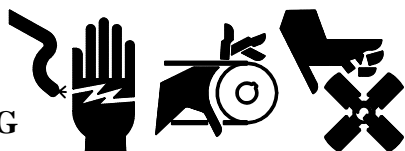


Figure 1. Panel Features

⚠ WARNING



Accidental starting can cause serious personal injury.

Prevent unit from accidental starting while servicing. Disconnect battery, remove negative (–) lead first. Reconnect negative (–) lead last.

⚠ WARNING



Gasoline vapors can explode and can cause serious injury or death.

Before starting engine, operate ventilation blower(s) for four minutes and check engine compartment bilge for gasoline vapors.

⚠ WARNING



Gasoline vapors can explode and can cause serious injury or death.

USCG Regulation 33CFR183 requires all electrical devices (ship–to–shore transfer switch, remote start panel, etc.) to be "ignition protected" when used in a gasoline (gaseous)–fueled environment. These electrical devices are not "ignition protected" and are not certified to operate in a gasoline (gaseous)–fueled environment such as engine room or near fuel tanks. Acceptable locations would be wheelhouse or other living areas sheltered from rain and water splash.

INSTALLATION

1. Determine where in wheelhouse or bridge remote panel is to be mounted. This decision will be limited by the length of the wiring harness and the size (including mounting depth) of the panel.

NOTE

If the installation requires a wiring harness that exceeds 15 ft. (4.6 m) order Remote Extension Harness Kit PA-249334, 15 ft. (4.6 m) or PA-249336, 25 ft. (7.6 m). Use no more than a total of four remote harness kits.

2. See Figure 2 for mounting dimensions. The minimum mounting clearance beyond the panel is 2-1/4 in. (57 mm). Mount panel using two screws (not supplied).

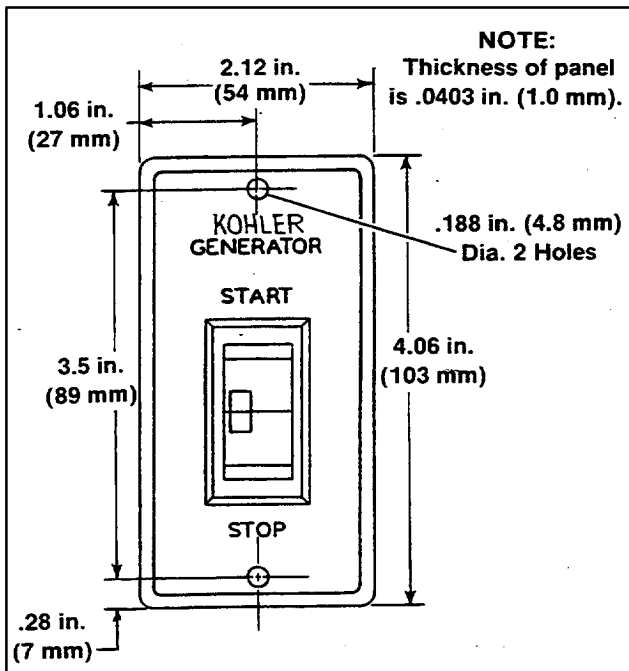


Figure 2. Mounting Dimensions

3. Connect Remote Start Panel connector or Remote Extension Harness (if used) to back of generator set controller. See Figure 3 for electrical connections.

Use rubber grommets and cable ties as necessary to protect and secure wiring harness. Installation must conform to U.S.C.G. Regulations 183.425 through 183.460.

4. Select a location as near as practical to start panel for mounting warning decal. See Figure 4. Ideally, the decal should be visible when starting generator set. Before applying decal, be sure surface is clean and dry.



Figure 4. Warning Decal

5. Start/stop generator set using controller switch and remote switch. STOP generator set.

Parts Listing

Description	Qty.	Part Number
Conduit, plastic	1	X-6003-74
Connector, plug (male)	1	241617
Panel, cutout	1	250796
Switch, rocker	1	269296
Decal, warning	1	249494

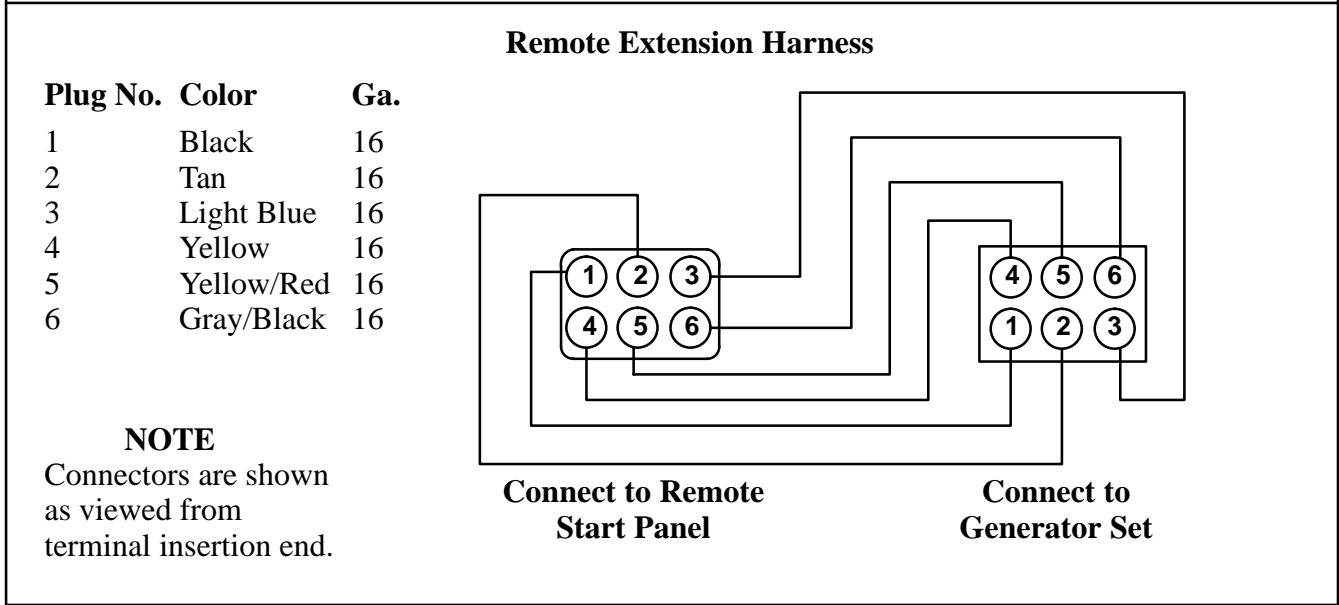
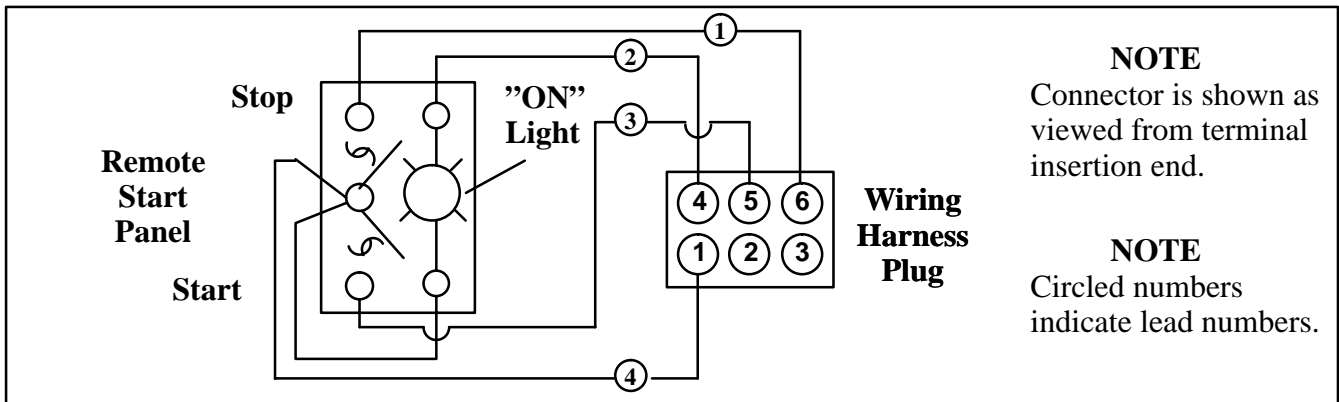


Figure 3. Electrical Connections