

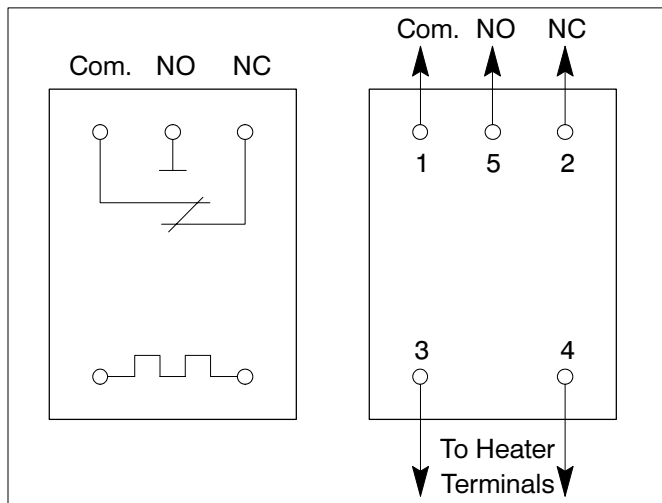
**INSTALLATION INSTRUCTIONS**

**Thermal Switch Replacement Kit 267704**

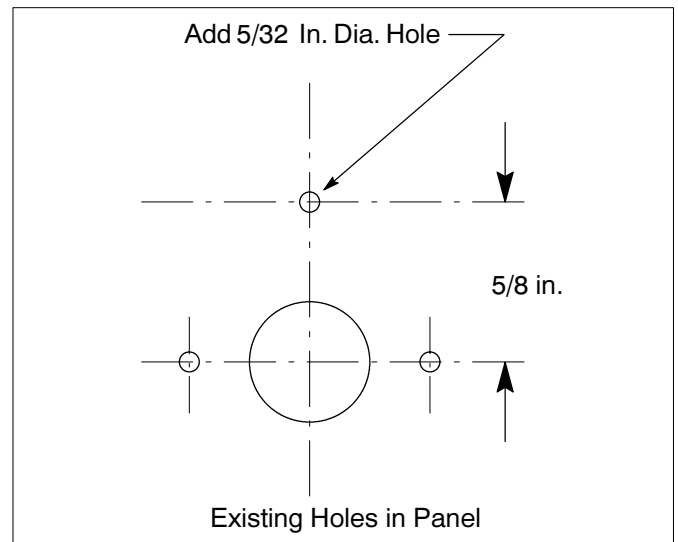
Use this kit to replace the discontinued ITS switch on 24-volt and 32-volt systems. Use the following procedure as a guide when installing the parts of the kit:

**Note:** This kit should be installed only by a qualified electrician or technician.

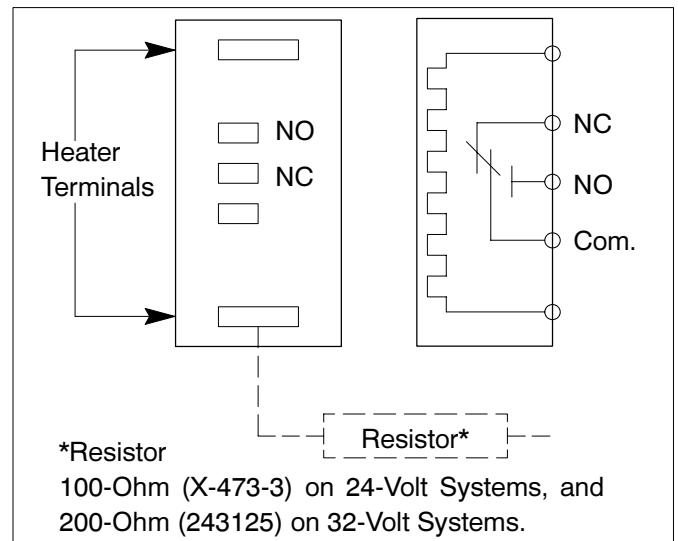
1. Note which wires on the existing switch connect to which terminals: NO (Normally Open), NC (Normally Closed) and Com. (Common). Then remove the existing switch. See Figure 1 for old switch wire connections. Cut the wires at a point close to the old terminals.
2. Attach terminals X-431-17 to the wires.
3. Drill a 5/32 in. hole in the panel at a point 5/8 in. above the existing switch lever hole as noted in Figure 2.
4. Install the new switch from the kit and connect the wires to the proper terminals as noted in Figure 3.
5. Replace the existing resistor, as necessary. Note that the 100-ohm resistor (X-473-3) is used with the 24-volt systems and the 200-ohm resistor (243125) with the 32-volt systems.



**Figure 1** Discontinued Switch 266241



**Figure 2** Mounting



**Figure 3** 269397 Switch

Parts List		
Qty.	Description	Part No.
1	Switch, thermal	269397
1	Resistor (24-volt systems), 100-ohm, 2 W min.	X-473-3
1	Resistor (32-volt systems), 200-ohm, 4 W min.	243125
3	Terminal	X-431-17